

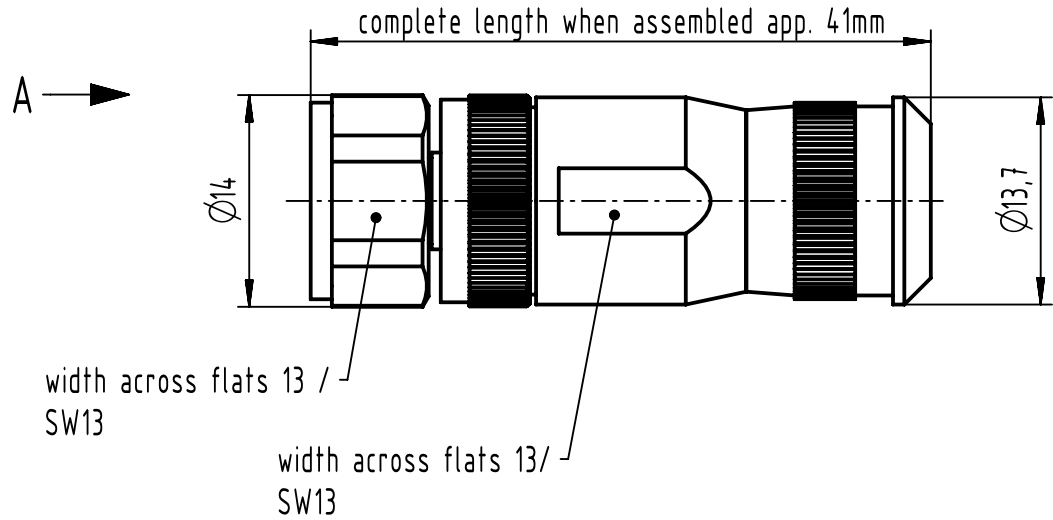
1 2 3 4 5 6

A

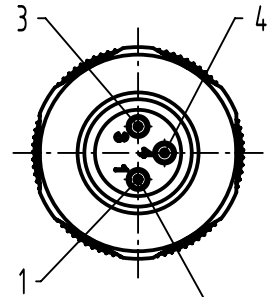
B

C

D

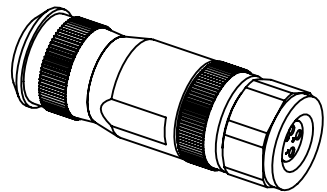



A (2:1)



contact face acc. to IEC 61076-2-104

conductor cross section	0.14mm <sup>2</sup> - 0.5mm <sup>2</sup> AWG26 - AWG20
cable outside diameter	5mm - 6.5mm



	All Dimensions in mm Original Size DIN A4		Scale 2:1	Free size tol.		Ref.	
	All rights reserved Department EL PD		Created by EISFELD	Inspected by 104.122	Standardisation SAP_WFRT	Date 2022-10-10	State Final Release
HARTING D-32339 Espelkamp		Title M8-CC-SCR-3P-F-STR-SHLD				Doc-Key / ECM-Nr. 100617448/UGD/001/D 500000227298	
		Type TB	Number 21023692301			Rev. D	Page 1/1